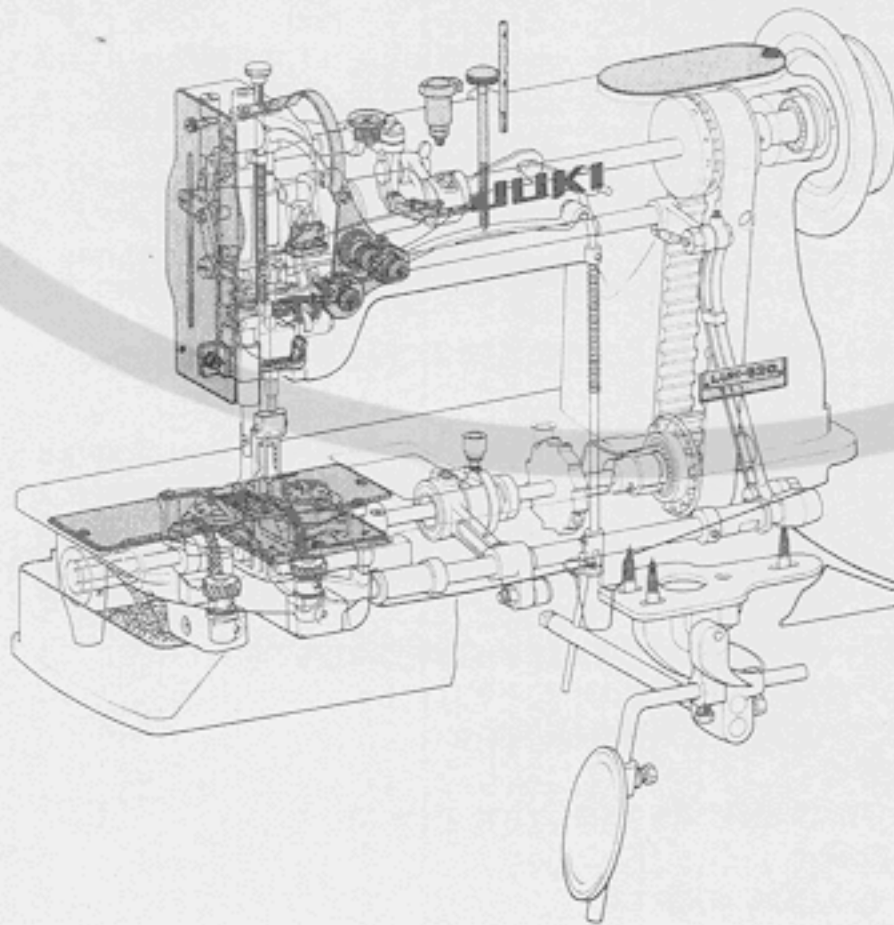
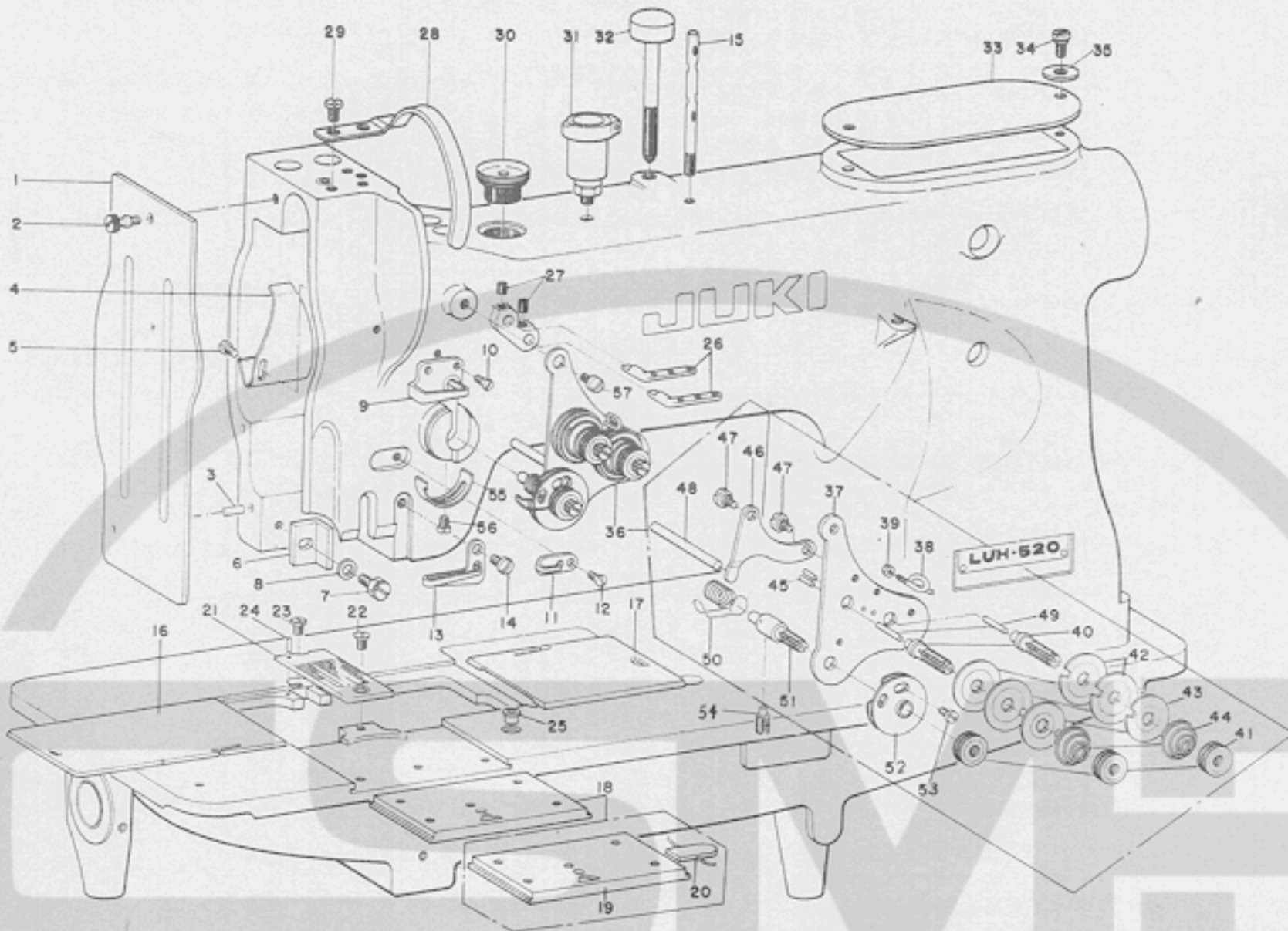


1. MACHINE HEAD & MISCELLANEOUS COVER COMPONENTS

頭部外装関係



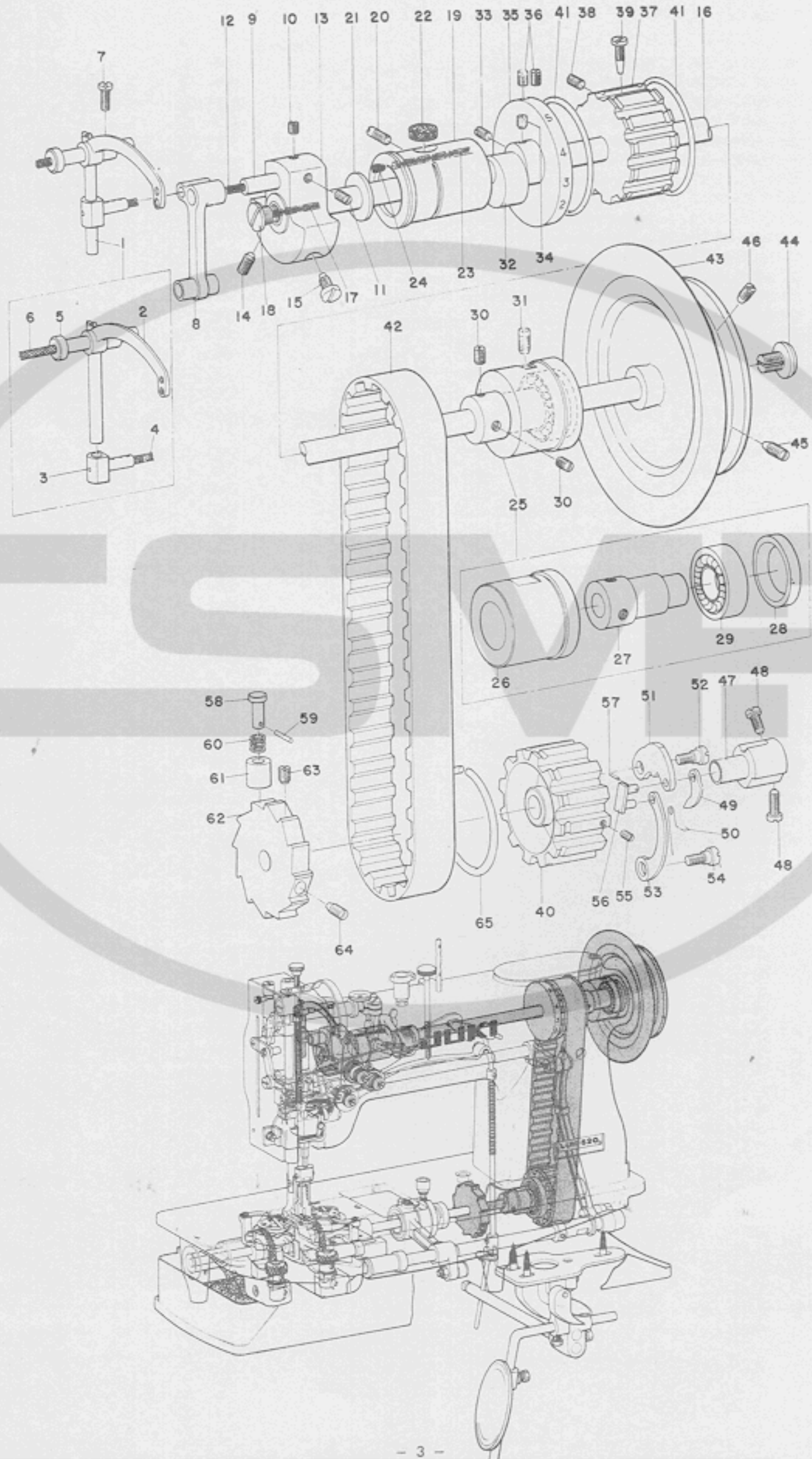
1. MACHINE HEAD & MISCELLANEOUS COVER COMPONENTS

頭部外装関係

Ref. No.	Note	Part No.	Description	E.C.	Amt. Req.
	注記	品番		変更年月	数量
1		B3101-053-000	Face plate	面板	1
2		B3106-019-000	. . . Set screw	面板止ネジ	1
3		B1103-051-000	. . . Set pin	面板止ピン	1
4		B1140-051-000	Thread take-up oil shield	天秤油防板	1
5		SS-3090610-SP	. . . Set screw	天秤油防板止ネジ	1
6		B1423-051-000	Needle bar frame guide	針棒揺動台案内	1
7		SS-9111010-SP	. . . Set screw	針棒揺動台案内止ネジ	1
8		WP-0480856-SP	. . . Washer	針棒揺動台案内止ネジ座金	1
9		B1129-563-000	Frame thread guide, upper	糸案内 (上)	1
10		SS-2090710-SP	. . . Set screw	糸案内 (上) 止ネジ	2
11		B1130-051-000	Frame thread guide, middle	糸案内 (中)	1
12		SS-2090710-SP	. . . Set screw	糸案内 (中) 止ネジ	1
13		B1131-051-000	Frame thread guide, lower	糸案内 (下)	1
14		SS-2090710-SP	. . . Set screw	糸案内 (下) 止ネジ	1
15		B1114-051-000	Needle thread guide pin	糸案内棒	1
16		B1112-512-E00	Bed slide, left (3/8") standard	滑り板 (左)(3/8")標準	1
17		B1113-512-E00	Bed slide, right (3/8") standard	滑り板 (右)(3/8")標準	1
18		B1110-051-0A0	Bed slide asm.	滑り板 (組)	1
19		B1110-051-000	Bed slide	滑り板	(1)
20		B1111-051-0A0	. . . Stopper	滑り板止メ	(1)
21		B1109-520-K00	Throat plate (3/8") standard	針板 (3/8")標準	1
22		SS-2110920-TP	. . . Set screw	針板止ネジ	1
23		SS-6090630-SP	. . . Guide screw	針板案内ネジ	1
24		B1104-051-000	. . . Stopper pin	針板止ピン	1
25		B1157-009-0A0	Oil cup, small	オイルカップ (小)	3
26		B1128-051-000	Three-hole thread eyelet	三ッ目糸掛ケ	2
27		SS-8110510-SP	. . . Set screw	三ッ目糸掛ケ止ネジ	2
28		B1158-563-000	Thread take-up cover	天秤カバー	1
29		SS-7160740-SP	. . . Set screw	天秤カバー止ネジ	2
30		B3501-051-000	Upper main shaft front bushing oiling tube	上軸前メタル油注入筒	1
31		B1155-053-000	Upper feed rod oil cup	上送りロッドオイルカップ	1
32		B1509-051-000	Pressure regulating thumb screw	押エ調節ネジ	1
33		B1150-051-000	Top cover	天板	1
34		SD-0630241-SD	. . . Set screw	天板止ネジ	1
35		B1152-051-000	. . . Washer	天板止ネジ座金	1
36		B3121-520-0B0	Thread controller base asm.	糸調子台板 (組)	1
37		B3121-520-000	Thread controller base	糸調子台板	(1)
38		B3114-761-000	Thread tension disc thread guide	糸調子皿糸案内	(1)
39		NS-6060350-SP	. . . Nut	糸調子皿糸案内締ナット	(1)
40		B3124-051-000	Thread tension post	糸調子棒	(2)
41		B3125-012-000	Thread tension nut	糸調子ナット	(3)
42		B3126-051-000	Thread tension disc	糸調子皿	(4)
43		B3132-051-000	. . . Presser	糸調子皿押エ	(2)
44		B3129-053-000	Thread tension spring	糸調子バネ	(2)
45		B3131-051-000	Thread tension spring stopper pin	糸調子皿止ピン	(2)
46		B3134-520-000	Thread release lever	糸ユルメ板	(1)
47		SD-0470281-SP	. . . Set screw	糸ユルメ板止ネジ	(2)
48		B3122-051-000	Thread release lever pushing bar	糸ユルメ押し棒	(1)
49		B3127-051-000	Thread release pin	糸ユルメピン	(2)
50		B3128-520-000	Take-up spring	糸取りバネ	(1)
51		B3123-520-000	. . . Stud	糸取りバネ軸	(1)
52		B3137-520-0A0	. . . Guide asm.	糸取りバネ案内 (組)	(1)
53		SS-6080810-SP	. . . Guide disc set screw	糸取りバネ案内皿止ネジ	(1)
54		SS-8111251-SP	. . . Stud screw	糸取りバネ軸止ネジ	1
55		B3138-051-000	Take-up spring adjusting plate	糸取りバネ調節板	1
56		SS-7090520-SP	. . . Set screw	糸取りバネ調節板止ネジ	1
57		SS-7110720-SP	Thread controller base set screw	糸調子台板止ネジ	1

2. UPPER MAIN SHAFT, THREAD TAKE-UP & SAFETY CLUTCH MECHANISM COMPONENTS

上軸、天秤、安全裝置關係



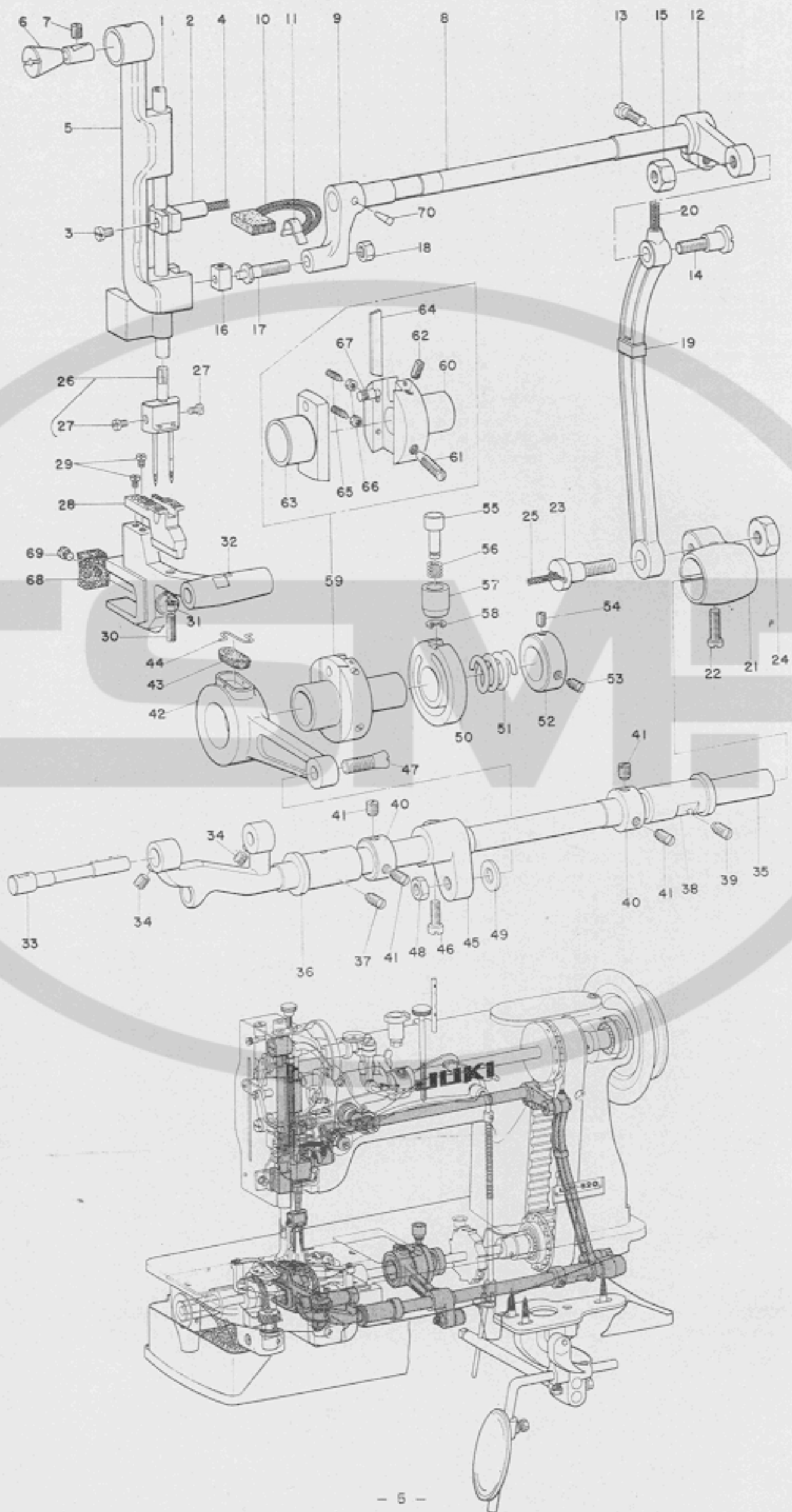
2. UPPER MAIN SHAFT, THREAD TAKE-UP & SAFETY CLUTCH MECHANISM COMPONENTS

上軸、天秤、安全装置関係

Ref. No.	Note	Part No.	Description	E.C.	Amt. Req.
	注記	品番		変更年月	数量
1		B1905-520-0C0	Take-up lever asm.....		1
2		B1905-520-000	Take-up lever		(1)
3		B1907-057-000	Take-up lever pin		(1)
4		CQ-2020000-00	. . . Oil wick		(1)
5		B1906-051-000	Take-up slide shaft		(1)
6		CQ-2520000-00	. . . Oil wick		(1)
7		SS-7151120-SP	. . . Set screw		1
8		B1408-051-000	Needle bar crank rod		1
9		B1210-051-000	Needle bar crank pin		1
10		SS-8680540-SP	. . . Set screw (1)		1
11		SS-8680730-SP	. . . Set screw (2)		1
12		CQ-3030000-00	. . . Oil wick		1
13		B1206-520-000	Counterweight		1
14		SS-8881650-TP	. . . Set screw		1
15		SS-7681750-TP	. . . Set screw (S)		1
16		D1201-055-B00	Upper main shaft		1
17		CQ-5050000-00	. . . Oil wick		1
18		B1207-051-000	. . . Oil stopping screw		1
19		B1202-051-000	. . . Front bushing		1
20		SS-8151350-SP Set screw		1
21		B1205-051-000 Washer		1
22		B1203-051-000 Felt		1
23		CQ-2520000-00	. . . Oil wick		1
24		B1230-051-000 Stopping plug		1
25		B1216-051-0A0	Upper main shaft rear bushing asm.....		1
26		B1216-051-000 Rear bushing (1)		(1)
27		B1217-051-000 Rear bushing (2)		(1)
28		B1218-051-000	Upper main rear bearing retaining collar		(1)
29		B1219-051-000 Bearing		(1)
30		SS-8150710-SP	Upper main shaft rear bushing set screw (2)		(2)
31		SS-8151350-SP	. . . Set screw		1
32		D1450-055-B00	Feed eccentric		1
33		SS-8660530-TP	. . . Set screw (A)		1
34		SS-8660970-TP	. . . Set screw (B)		1
35		B1220-562-000	Stitch graduator		1
36		SS-8151230-SP	. . . Set screw		2
37		B1302-051-000	Sprocket wheel, upper		1
38		SS-8681650-TP	. . . Set screw (A)		1
39		SS-7681750-TP	. . . Set screw (B)		1
40		B1303-055-A00	Sprocket wheel, lower		1
41		B1214-019-000	Sprocket ring, upper		2
42		B1301-051-000	Timing belt		1
43		B1227-520-000	Hand wheel		1
44		B1233-012-000	. . . End screw		1
45		SS-8151780-SP	. . . Set screw (S)		1
46		SS-8152030-SP	. . . Set screw		1
47		B1311-055-000	Safety clutch body		1
48		B1316-055-000	. . . Clamp screw		2
49		B1308-055-000	Safety clutch counter-hook		1
50		B1309-055-000	. . . Spring		1
51		B1307-055-000	Safety clutch hook		1
52		SD-0640322-TP	. . . Hinge screw		1
53		B1305-055-000	Safety clutch spring		1
54		SD-0640322-TP	. . . Hinge screw		1
55		SS-8090710-SP	. . . Positioning screw		1
56		B1310-055-000	. . . Small link		1
57		B1314-055-000 Pin		1
58		B1312-055-000	Safety clutch push button		1
59		PS-0200102-KH	. . . Pin		1
60		B1639-051-000	. . . Spring		1
61		B1313-055-000	. . . Button tube		1
62		B1314-057-000	Safety clutch ratchet gear		1
63		SS-8151780-SP	. . . Set screw (A)		1
64		SS-8152080-SP	. . . Set screw (B)		1
65		B1214-019-000	Sprocket ring, lower		1

3. NEEDLE BAR, FEED ROCK SHAFT COMPONENTS

針棒、水平送り軸関係



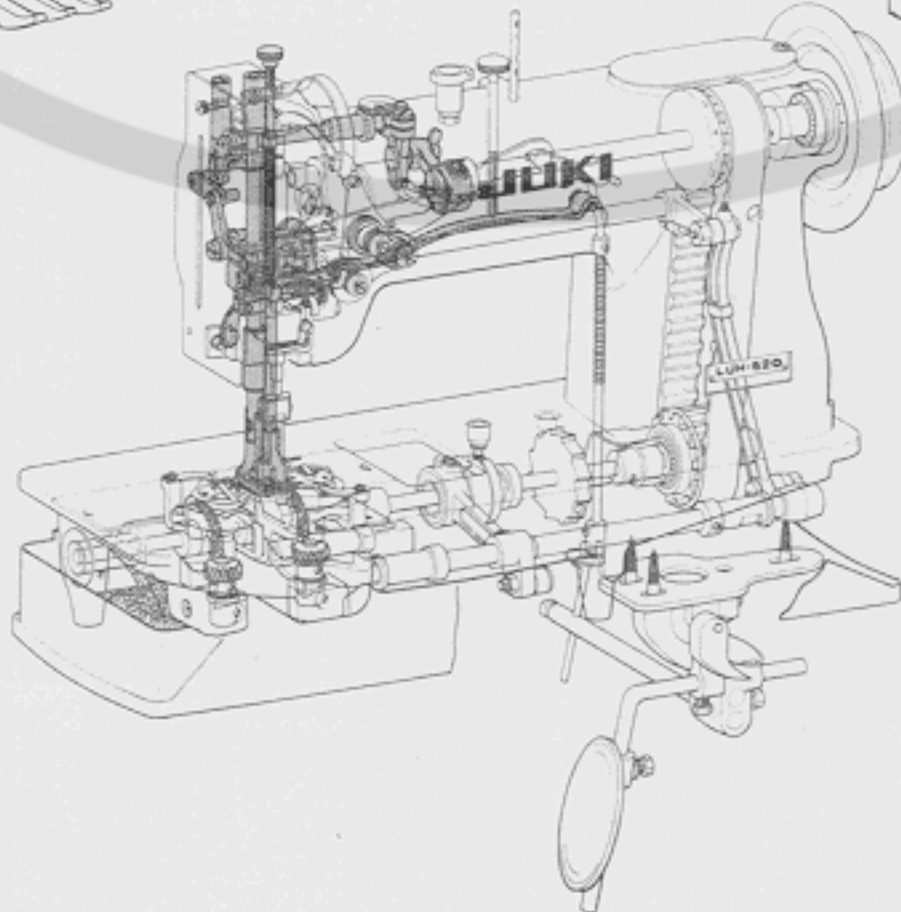
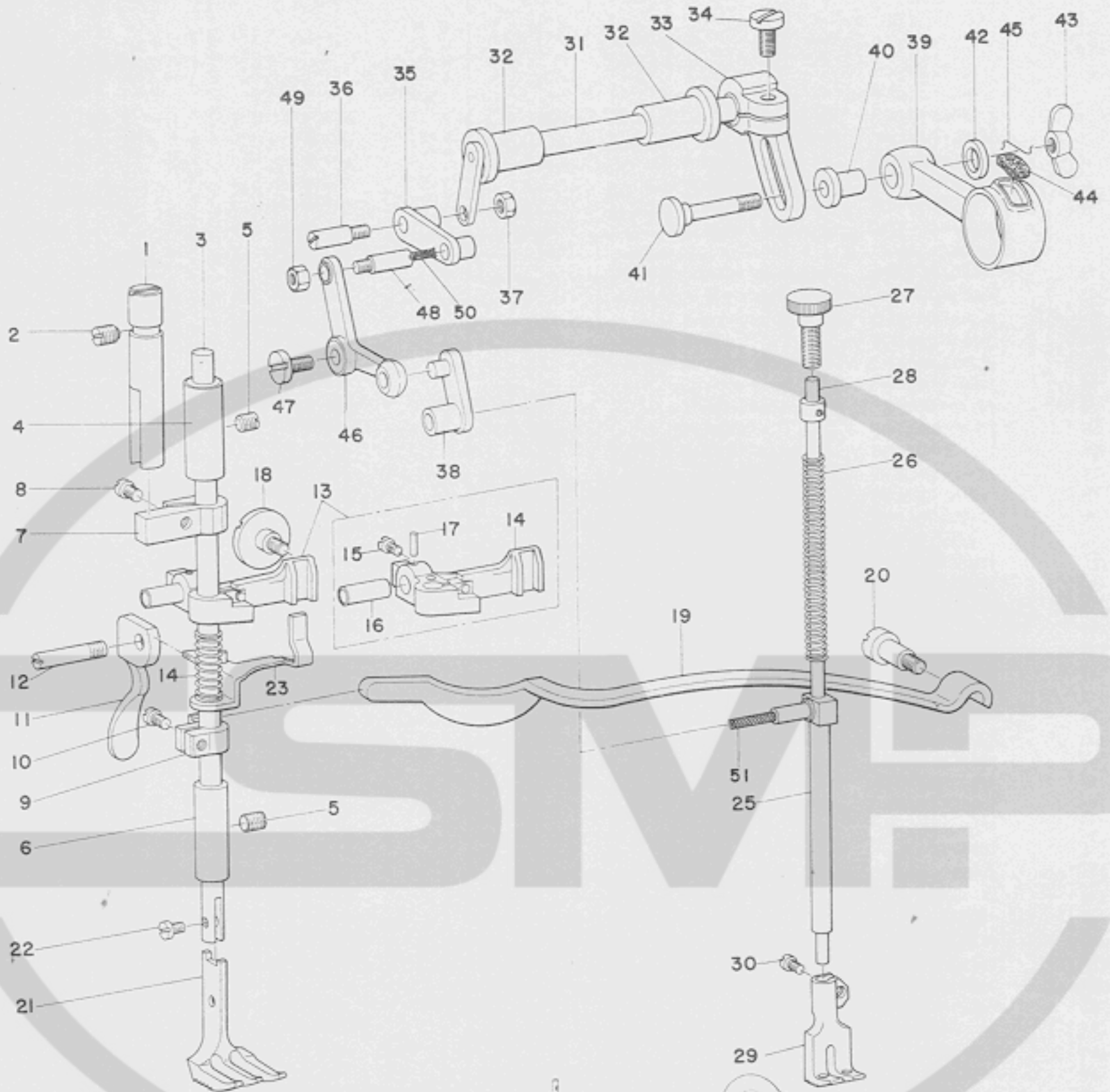
3. NEEDLE BAR, FEED ROCK SHAFT COMPONENTS

針棒、水平送り軸関係

Ref. No.	Note	Part No.	Description	E.C.	Amt. Req.
	注記	品番		変更年月	数量
1		B1401-518-000	Needle bar		1
2		B1411-518-0A0	Connection		1
3		SS-7090910-SP	Set screw		(1)
4		CQ-3030000-00	Oil wick		1
5		B1420-518-000	Frame rock base		1
6		B1421-051-000	Taper stud		1
7		SS-8151160-SP	Set screw		1
8		B1429-051-000	Needle bar frame rock shaft		1
9		B1428-051-000	Needle bar shaft front crank		1
10		B1438-051-0A0	Oil wick asm.		1
11		B1437-051-000	Oil wick retainer		1
12		B1431-520-0A0	Needle bar shaft rear crank		1
13		SS-6151440-SP	Set screw		(1)
14		SD-0790801-SP	Hinge screw		1
15		NS-6160520-SP	Nut		1
16		B1425-051-000	Needle bar frame slide block		1
17		B1426-051-000	Shaft		1
18		NS-6620310-SP	Nut		1
19		B1434-051-000	Needle bar frame driving rod		1
20		CQ-2520000-00	Oil wick		1
21		B1435-051-0A0	Driving crank		1
22		SS-6151920-SP	Clamp screw		(1)
23		SD-0950801-SP	Hinge screw		1
24		NS-6700420-SP	Nut		1
25		CQ-2020000-00	Oil wick		1
26		B1402-520-KA0	Needle clamp (3/8") standard asm.		1
27		SS-6090410-TP	Needle set screw		(2)
28		B1613-520-K00	Feed dog (3/8") standard		1
29		SS-6080720-SP	Set screw		2
30		SS-8081450-SP	Adjusting screw		1
31		NS-6080210-SP	Nut		1
32		B1602-520-0A0	Feed bar asm.		1
33		B1603-051-000	Feed bar shaft		1
34		SS-8110510-SP	Set screw		2
35		B1601-051-000	Feed rock shaft		1
36		B1607-051-000	Front bushing		1
37		SS-8151150-SP	Set screw		1
38		B1609-051-000	Feed rock shaft rear bushing		1
39		SS-8152030-SP	Set screw		1
40		CS-1401012-SC	Feed rock shaft thrust collar		2
41		SS-8150410-SP	Set screw		4
42		B1614-057-000	Feed rock shaft rod		1
43		B1702-012-000	Felt		1
44		B1213-012-000	Presser		1
45		B1616-520-0A0	Feed rock shaft crank		1
46		SS-6111210-SP	Set screw		(1)
47		B1621-012-A00	Taper screw		1
48		NS-6680480-SP	Taper screw nut		1
49		B1615-520-000	Feed rock shaft rod washer		1
50		B1626-562-000	Feed eccentric guide		1
51		B1624-055-000	Feed eccentric body spring		1
52		B1625-057-000	Retainer collar for eccentric body spring		1
53		SS-8110510-SP	Set screw (A)		1
54		SS-8110750-SP	Set screw (B)		1
55		B1636-055-000	Feed adjusting knob		1
56		B1639-051-000	Spring		1
57		B1637-055-000	Feed eccentric guide bushing		1
58		RE-0500000-K0	Snap ring		1
59		B1620-562-0B0	Feed adjusting body asm.		1
60		B1621-055-000	Feed adjusting body		(1)
61		SS-8151770-SP	Set screw (A)		(1)
62		SS-8151780-SP	Set screw (B)		(1)
63		B1620-057-000	Feed adjuster		(1)
64		B1622-057-000	Friction plate		(1)
65		B1642-057-000	Set screw		(2)
66		NS-6080210-SP	Nut		(2)
67		B1623-057-000	Lead cam pin		(1)
68		B1605-051-000	Feed bar fork oil supply felt		1
69		SS-6080610-TP	Set screw		1
70		PT-0301600-S0	Knock pin, for front crank		1
71		HDI-300B240I	Needle		2

4. PRESSER BAR & WALKING FOOT COMPONENTS

押工棒、上送り関係



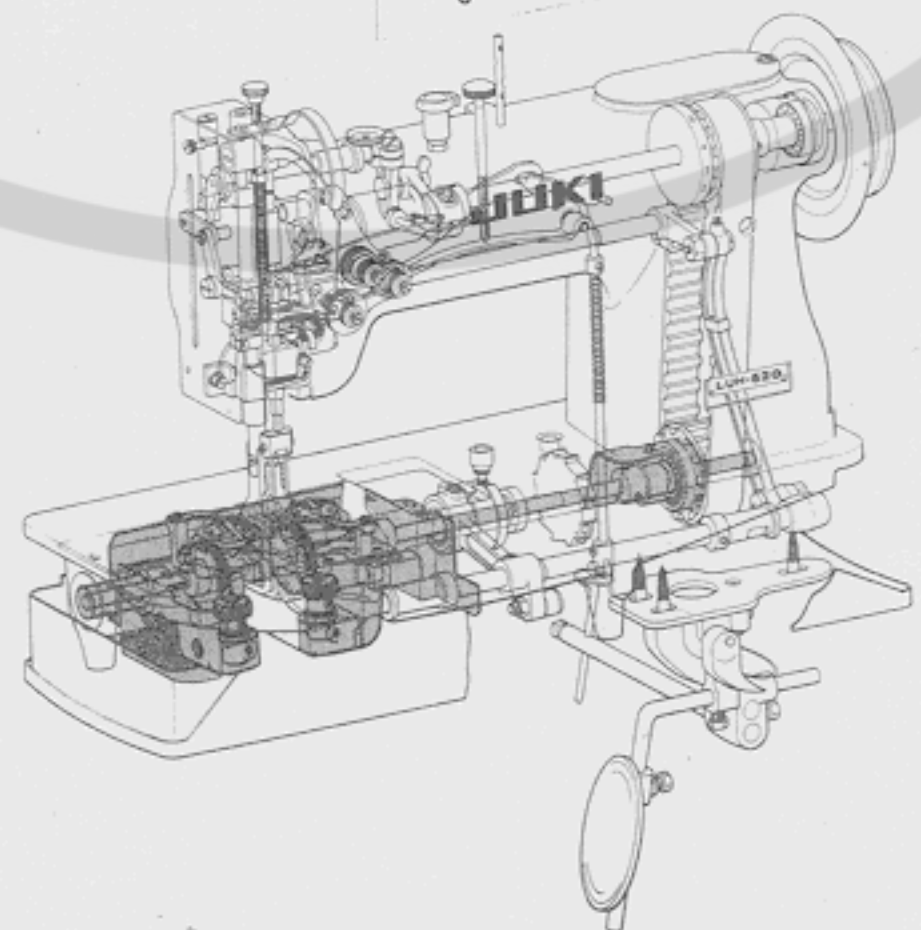
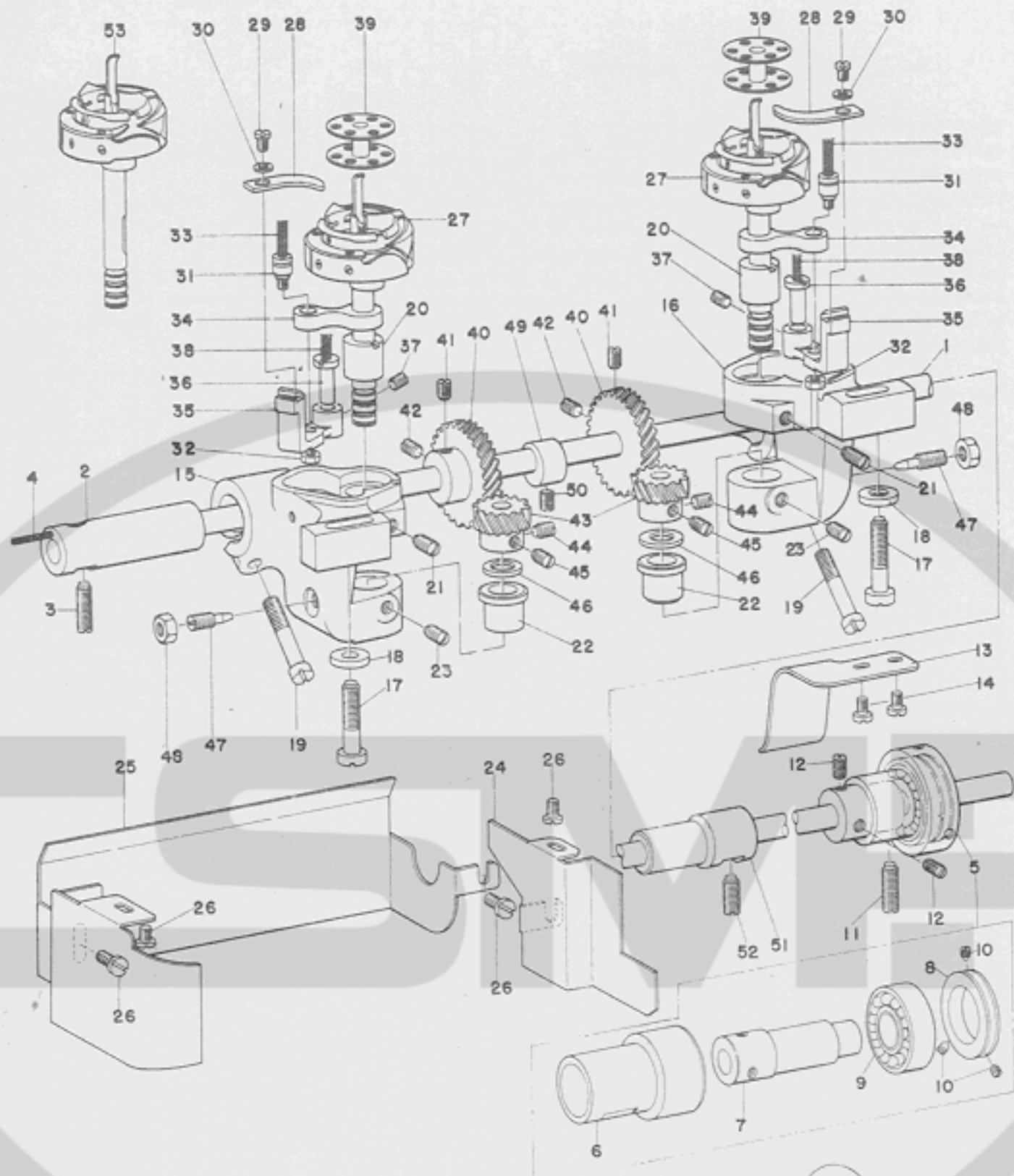
4. PRESSER BAR & WALKING FOOT COMPONENTS

押エ棒、上送り関係

Ref. No.	Note	Part No.	Description	E.C.	Amt. Req.
	注記	品番		変更年月	品名 数量
1		B1502-051-000	Presser bar guide sleeve		押エ棒案内筒 1
2		SS-8151150-SP	. . . Set screw		押エ棒案内筒止ネジ 1
3		B1501-040-000	Presser bar		押エ棒 1
4		B1503-051-A00	. . . Upper bushing		押エ棒上メタル 1
5		SS-8151150-SP	. . . Set screw		押エ棒メタル止ネジ 2
6		B1503-051-B00	. . . Lower bushing		押エ棒下メタル 1
7		B1504-051-0A0	Presser bar connection		押エ棒抱キ案内 1
8		SS-7090910-SP	. . . Set screw		押エ棒抱キ案内止ネジ (1)
9		B1507-051-0A0	Presser bar connection asm.....		押エ棒抱キ(組) 1
10		SS-7090910-SP	. . . Set screw		押エ棒抱キ止ネジ (1)
11		B1512-051-000	Hand lifter		押エ上ゲ 1
12		B1515-051-000	. . . Shaft		押エ上ゲ軸 1
13		B1460-053-0A0	Hand lifter mounting bracket asm.		押エ上ゲテコ台(組) 1
14		B1460-053-00A	Hand lifter mounting bracket		押エ上ゲテコ台 (1)
15		SS-7111310-SP	. . . Clamp screw		押エ上ゲテコ台締ネジ (1)
16		B1460-053-00B	. . . Connecting pin.....		押エ上ゲテコ台結合軸 (1)
17		PT-0201200-S0 Pin		押エ上ゲテコ台結合軸ノックピン (1)
18		SD-0800481-SP	Hinge screw, for bracket		押エ上ゲテコ案内段ネジ 1
19		B1505-053-000	Presser bar adjusting plate spring		押エ調節板バネ 1
20		SD-0801601-SP	. . . Screw stud		押エ調節板バネ支エネジ 1
21		B1525-520-K00	Presser foot (3/8") standard		押エ外足(3/8")標準 1
22		SS-6090910-TP	. . . Set screw		押エ止ネジ 1
23		B1461-053-0A0	Thread release guide		糸ユルメ受板(組) 1
24		B1462-053-000	. . . Spring		糸ユルメ受板バネ 1
25		B1466-053-000	Walking bar		上送り棒 1
26		B1468-053-000	. . . Spring		上送り棒押エバネ 1
27		B1469-053-000	Adjusting thumb screw, for walking bar		上送り押エ棒調節ネジ 1
28		B1467-053-0A0	Spring pole, for walking bar asm.		上送りバネ支持棒(組) 1
29		B1470-520-KA0	Walking foot (3/8") standard		押エ中足(3/8")標準 1
30		SS-6110710-TP	Walking foot clamp screw		上送り足締ネジ (1)
31		B1456-053-000	Walking bar shaft		上送り軸 1
32		B1455-053-000 Bushing		上送り軸メタル 2
33		D1454-055-BA0	Upper feed spring rod		上送り軸 1
34		SS-7161640-SP	. . . Clamp screw		上送り軸締ネジ (1)
35		B1458-053-000	Walking bar rock shaft connecting link		上送り連結リンク 1
36		B1457-055-000 Hinge screw		上送り連結段ネジ 1
37		NS-6660430-SP Hinge screw nut		上送り連結段ネジナット 1
38		B1465-053-000	Walking bar driving link.....		上送り揺動リンク 1
39		D1453-055-B00	Upper feed rod		上送りロッド 1
40		D1455-055-B00	Wing screw bolt bushing		上送りロッド連結軸 1
41		D1456-055-B00	Wing screw bolt		上送りロッド連結軸段ネジ 1
42		D1457-055-B00	Wing screw washer		上送りロッド連結軸段ネジ座金 1
43		D1458-055-B00	Wing screw		上送りロッド連結軸蝶ナット 1
44		B1702-012-000	Oil felt		上送りロッドフェルト 1
45		B1213-012-000	. . . Retainer		上送りロッドフェルト押エ 1
46		B1459-053-00A	L-shaped link		L型リンク 1
47		SS-6111140-SP	. . . Set screw		L型リンク止ネジ 1
48		B1459-053-00B	. . . Link stud		L型リンク結合軸 1
49		NS-6110310-SP	. . . Lock nut		L型リンク結合軸固定ナット 1
50		CQ-2020000-00	. . . Oil wick		L型リンク結合軸油心 1
51		CQ-2020000-00	Walking bar oil wick		上送り棒油心 1

5. SEWING HOOK SHAFT COMPONENTS

下軸、水平釜関係



5. SEWING HOOK SHAFT COMPONENTS

下軸、水平釜関係

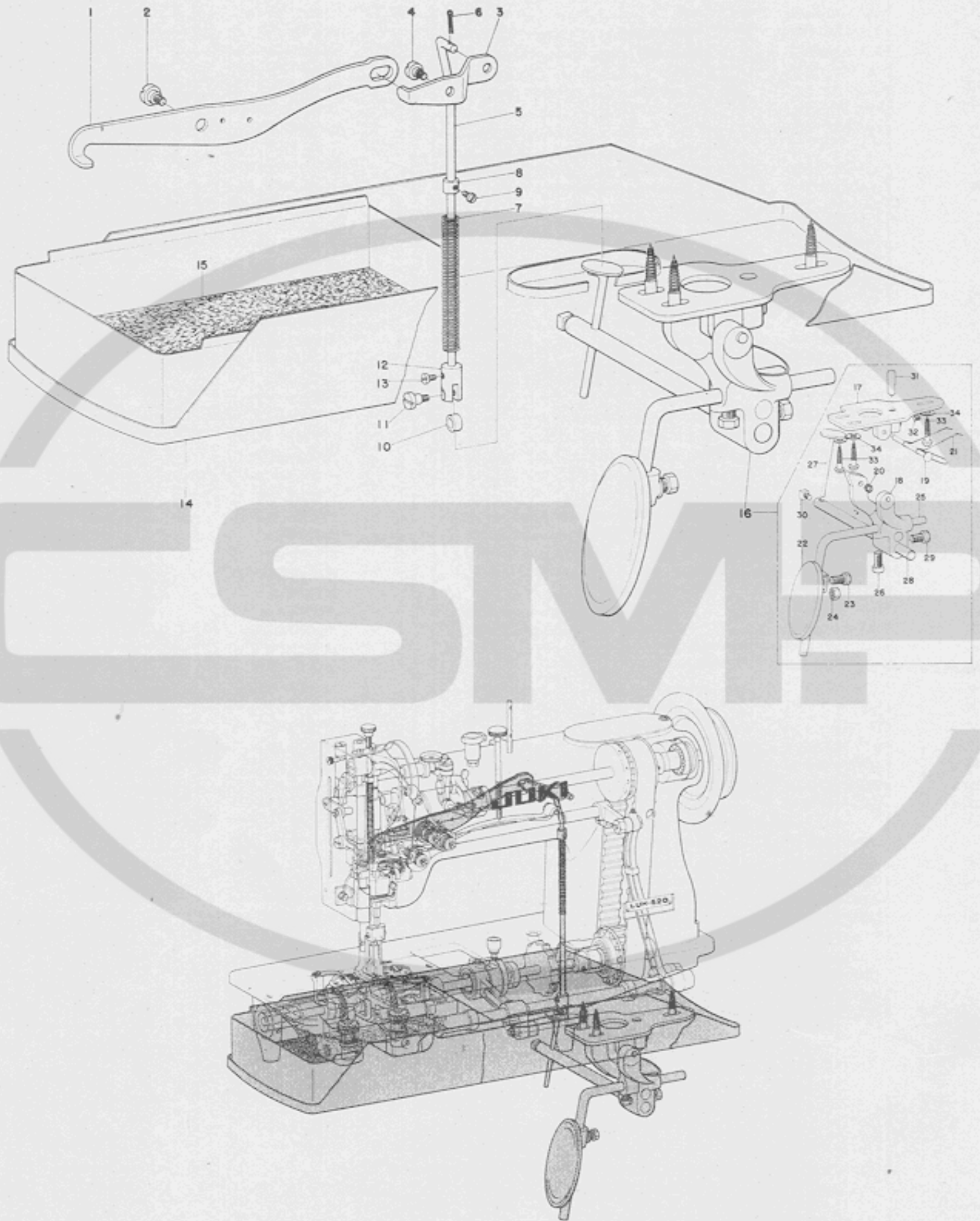
Ref. No.	Note	Part No.	Description	E.C.	Amt. Req.
	注記	品番		変更年月	品名 数量
1		B1801-520-000	Hook shaft		下軸 1
2		B1802-051-000	... Front bushing		下軸前メタル 1
3		SS-8152030-SP	... Set screw		下軸前メタル止ネジ 1
4		CQ-2020000-00	... Oil wick		下軸前メタル油心 1
5		B1807-051-0A0	Rear bushing asm., for hook shaft asm.		下軸後メタル(組) 1
6		B1807-051-000(1)		下軸後メタル(1) (1)
7		B1808-051-000(2)		下軸後メタル(2) (1)
8		B1809-051-000	Bearing retaining collar		下軸ベアリング止 (1)
9		B1219-051-000	Hook shaft bearing		下軸ベアリング (1)
10		SS-8090530-TP	Bearing retaining collar screw		下軸ベアリング受止ネジ (3)
11		SS-8152030-SP	Screw for hook shaft rear bushing		下軸後メタル止ネジ 1
12		SS-8150750-SP	Screw (2) for hook shaft rear bushing		下軸後メタル(2)止ネジ 2
13		B1806-520-000	Hook shaft timing indicator		下軸指示板 1
14		SS-7090520-SP	... Set screw		下軸指示板止ネジ 2
15		B1810-520-000	Hook driving shaft saddle (left)		釜軸台(左) 1
16		B1811-563-000	... (Right)		釜軸台(右) 1
17		SS-7762840-SP	... Set screw		釜軸台止ネジ 2
18		B1821-051-000	... Washer		釜軸台止ネジ座金 1
19		SS-6153040-SP	... Pinch screw		釜軸台締ネジ 2
20		B1814-563-000	Hook driving shaft upper bushing		釜軸上メタル 2
21		SS-8151150-SP	... Set screw		釜軸上メタル止ネジ 2
22		B1815-563-000	Lower bushing, for hook driving		釜軸下メタル 2
23		SS-8150710-SP	... Set screw		釜軸下メタル止ネジ 2
24		B1838-520-000	Oil shield(A), for saddle		釜軸台油防板(A) 1
25		B1844-520-000	... (B)		釜軸台油防板(B) 1
26		SS-6110610-TP	... Set screw		釜軸台油防板止ネジ 4
27		B1830-563-BA0	Vertical-axis sewing hook (B) asm.		水平釜(B)組 2
28		B1824-563-000	Bobbin case opening lever		中釜案内 2
29		SS-6090620-SP	... Set screw		中釜案内止ネジ 2
30		WP-0371016-SD	... Washer		中釜案内止ネジ座金 2
31		B1821-051-000	... Crank screw stud		中釜案内クランクピン 2
32		NS-6110420-SP	... Nut		中釜案内クランクピンナット 2
33		CQ-2020000-00	... Oil wick		中釜案内クランクピン油心 2
34		B1820-051-000	... Link		中釜案内リンク 2
35		B1822-563-000	... Crank		中釜案内腕 2
36		B1823-051-000	... Crank pin		中釜案内腕軸 2
37		SS-8151230-SP	... Set screw		中釜案内腕軸止ネジ 2
38		CQ-2020000-00	... Oil wick		中釜案内腕軸油心 2
39		B9117-563-000	Bobbin		ボビン 2
40		B1816-051-000	Hook shaft gear (large)		ネジ歯車(大) 2
41		SS-8660970-TP	... Set screw		ネジ歯車大止ネジ 2
42		SS-8660810-TP	... Set screw		ネジ歯車(大)止ネジ 2
43		B1817-051-000	Hook shaft gear (small)		ネジ歯車(小) 2
44		SS-8660530-TP	... Set screw		ネジ歯車(小)止ネジ 2
45		SS-8660670-SP	... Set screw		ネジ歯車小止ネジ 2
46		B1818-051-000	... Thrust plate		ネジ歯車小スラスト板 2
47		B1843-563-000	Oil adjusting screw		釜油量調節ネジ 2
48		NS-6110420-SP	... Nut		釜油量調節ネジナット 2
49		B1840-051-000	Feed driving eccentric		上下送りカム 1
50		SS-8150580-SP	... Set screw		上下送りカム止ネジ 1
51		B1804-051-000	Hook shaft intermediate bushing		下軸中メタル 1
52		SS-8151550-SP	... Set screw		下軸中メタル止ネジ 1
53	001	B1830-563-0A0	Vertical-axis sewing hook (A) asm. (for round hole feed)		水平釜(A)(組) (送り丸穴用) 2

001は特注部品です

001 Special order part

6. KNEE LIFTER AND OIL RESERVOIR COMPONENTS

膝上げ、油溜関係



6. KNEE LIFTER AND OIL RESERVOIR COMPONENTS

膝上げ、油溜関係

Ref. No.	Note	Part No.	Description	E.C.	Amt. Req.	
	注記	品番		変更年月	品名	数量
1		B3409-053-000	Knee lifter front lever		膝上げ前テコ	1
2		SD-0790361-SP	. . . Hinge screw		膝上げ前テコ段ネジ	1
3		B3410-051-000	Knee lifter rear lever		膝上げ後テコ	1
4		SD-0790361-SP	. . . Hinge screw		膝上げ後テコ段ネジ	1
5		B3413-053-000	Rear lifting bar		後ツリ棒	1
6		PD-0231100-0B	. . . Cotter pin		後ツリ棒割ピン	1
7		B3414-051-000	. . . Spring		後ツリ棒押シバネ	1
8		CS-0510713-SC	. . . Spring retaining collar		後ツリ棒押バネ受	1
9		SS-7110540-SP	. . . Screw		後ツリ棒押バネ受止ネジ	1
10		B3417-051-000	. . . Roller		後ツリ棒コロ	1
11		SD-0550801-SP	. . . Screw stud		後ツリ棒コロ軸	1
12		B3416-051-000	. . . Roller holder		後ツリ棒コロ支エ	1
13		SS-7110510-SP	. . . Screw		後ツリ棒コロS止ネジ	1
14		B1839-520-0A0	Oil receiving collar, for saddle		釜軸台油溜セット	1
15		B1841-520-000	Oil drip felt		釜軸台モルトブレーン	1
16		B3401-027-0A0	Knee lifter assembly		膝上げ装置関係(組)	1
17		B3401-027-000	Knee lifter base		ヒザ上げ台	(1)
18		B3402-027-000	Knee lifting rod bracket		ヒザ上げ体	(1)
19		B3408-027-000	. . . Shaft		ヒザ上げ軸	(1)
20		B3404-027-000 Spring		ヒザ上げブラケットバネ	(1)
21		B3409-027-000	Knee lifting rod spring		ヒザ上げバネ	(1)
22		B3407-027-000	Knee press plate		ヒザ当板	(1)
23		SM-9081620-SE	. . . Bolt		ヒザ当板止ネジ	(1)
24		NM-6080721-SE	. . . Nut		ヒザ当板止ネジナット	(1)
25		B3403-027-000	Knee lifter plate rod		ヒザ当板軸	(1)
26		SS-9201813-CN	. . . Bolt		ヒザ当板軸角ボルト	(1)
27		B3405-027-0A0	Knee lifting plate		膝上げ板(組)	(1)
28		B3410-027-000	Knee lifting rod		膝上げ板軸	(1)
29		SS-9201813-CN	. . . Bolt		膝上げ板軸角ボルト	(1)
30		B3406-027-000	. . . Bolt		膝上げ板角ボルト	(1)
31		B3411-027-000	Stopper pin, for base		ストッパーピン	(1)
32		SS-8150710-SN	. . . Screw		ストッパーピン止ネジ	(1)
33		SK-3623200-SC	Knee lifter base screw		ヒザ上げ装置木ネジ	3
34		WP-0851216-SC	. . . Washer		ヒザ上げ装置座金	3

7. EXCHANGING GAUGE PARTS

交換ゲージ部品

$\frac{3^\circ}{16}$

$\frac{1^\circ}{4}$

$\frac{1^\circ}{2}$

① B 1402-520-DAO



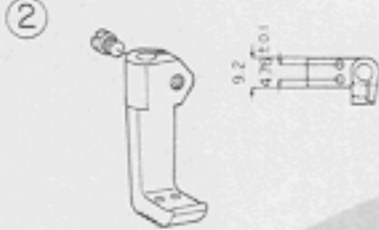
⑨ B 1402-520-FAO



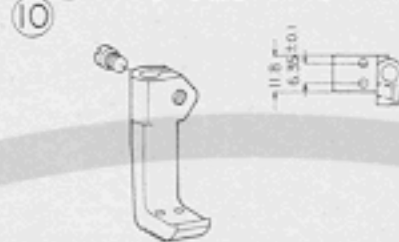
⑰ B 1402-520-LAO



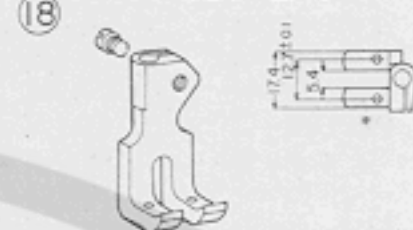
② B 1470-520-DAO



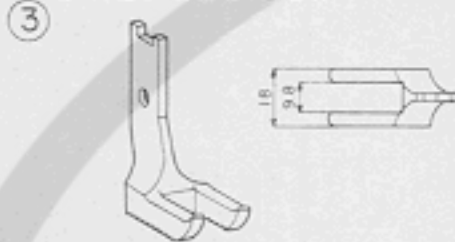
⑩ B 1470-520-FAO



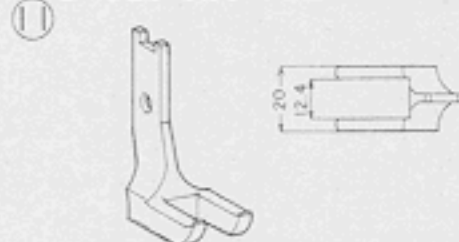
⑱ B 1470-520-LAO



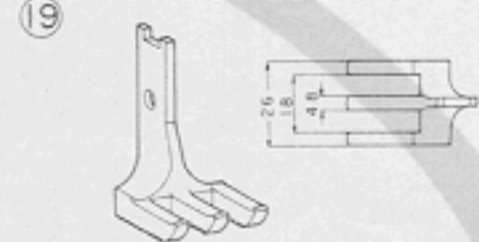
③ B 1525-520-D00



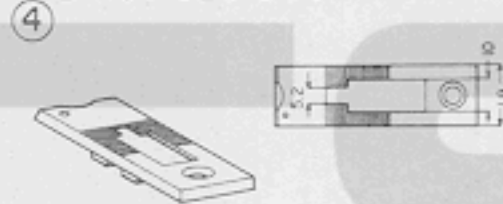
⑪ B 1525-520-F00



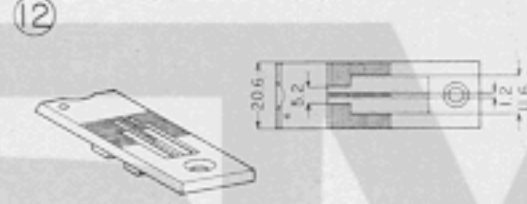
⑲ B 1525-520-L00



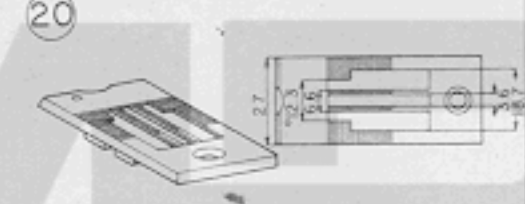
④ B 1109-520-D00



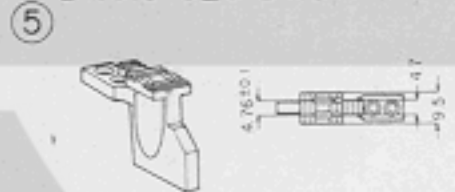
⑫ B 1109-520-F00



⑳ B 1109-520-L00



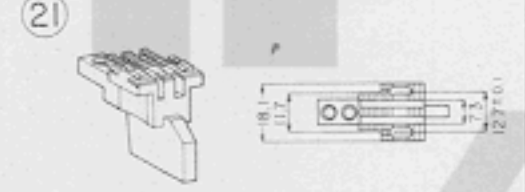
⑤ B 1613-520-D00



⑬ B 1613-520-F00



㉑ B 1613-520-L00



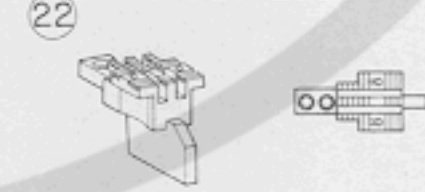
⑥ B 1613-520-DOB



⑭ B 1613-520-FOB



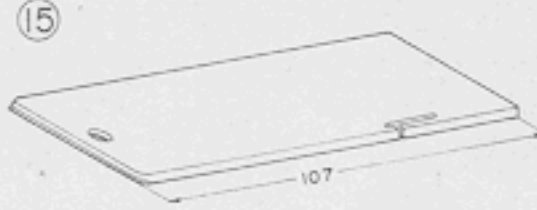
㉒ B 1613-520-LOB



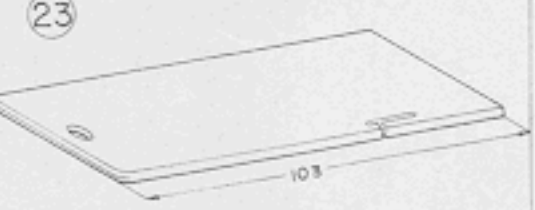
⑦ B 1112-512-C00



⑮ B 1112-512-C00



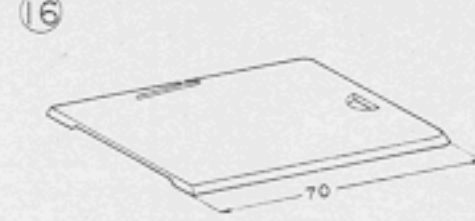
㉓ B 1112-512-F00



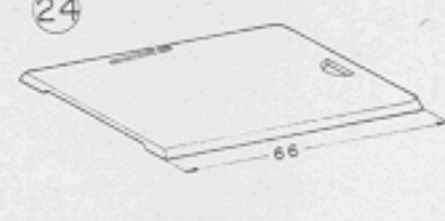
⑧ B 1113-512-C00



⑯ B 1113-512-C00



㉔ B 1113-512-F00



$\frac{5}{8}$

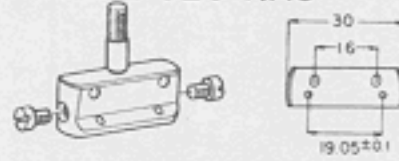
$\frac{3}{4}$

$\frac{3}{8}$

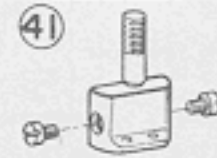
25 BI402-520-MAO



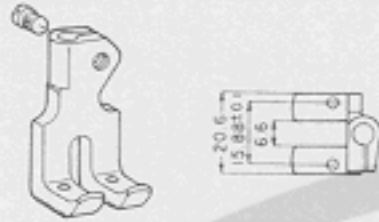
33 BI402-520-NAO



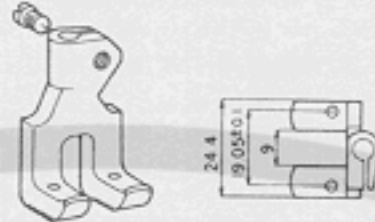
41 BI402-520-KAO



26 BI470-520-MAO



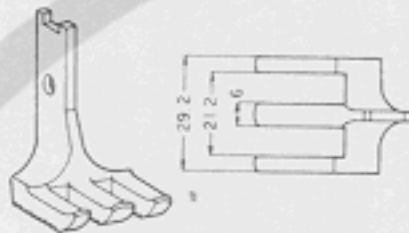
34 BI470-520-NAO



42 BI470-520-KAO



27 BI525-520-M00



35 BI525-520-N00



43 BI525-520-K00



28 BI109-520-M00



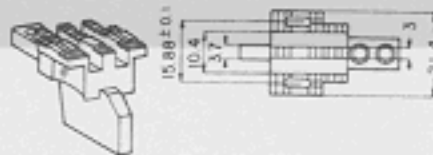
36 BI109-520-N00



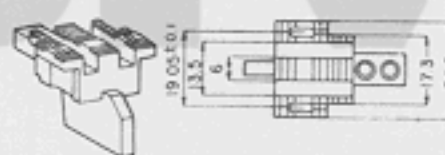
44 BI109-520-K00



29 BI613-520-M00



37 BI613-520-N00



45 BI613-520-K00



30 BI613-520-M0B



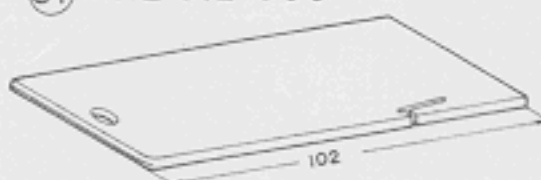
38 BI613-520-N0B



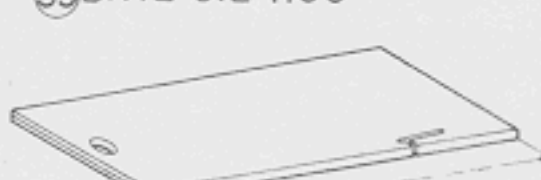
46 BI613-520-K0B



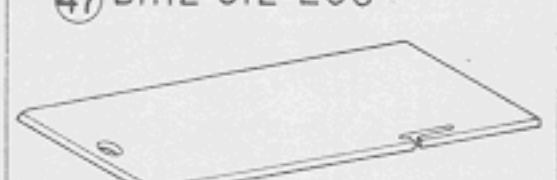
31 BI112-512-G00



39 BI112-512-H00



47 BI112-512-E00



32 BI113-512-G00



40 BI113-512-H00



48 BI113-512-E00



7. EXCHANGING GAUGE PARTS

交換ゲージ部品

Ref. No.	Note	Part No.	Description	E.C.	品名	Amt. Req.
	注記	品番		変更年月		数量
3/16" GAUGE PARTS						
1		B1402-520-DA0	Needle clamp (3/16")		3/16"用ゲージセット 針留(3/16")	1
		SS-6090410-TP	Needle set screw		針止ネジ	2
2		B1470-520-DA0	Walking foot (3/16")		押エ中足(3/16")	1
		SS-6110710-TP	... Clamp screw		押エ中足締ネジ	1
3		B1525-520-D00	Presser foot (3/16")		押エ外足(3/16")	1
4		B1109-520-D00	Throat plate (3/16")		針板(3/16")	1
5		B1613-520-D00	Feed dog (3/16")		送り(3/16")	1
6		B1613-520-D0B	Feed dog, for 30#, 20# threads (3/16")		送り(丸穴)30#, 20#糸を使用(3/16")	1
7		B1112-512-C00	Bed slide, left		滑り板(左)	1
8		B1113-512-C00	Bed slide, right		滑り板(右)	1
1/4" GAUGE PARTS						
9		B1402-520-FA0	Needle clamp (1/4")		1/4"用ゲージセット 針留(1/4")	1
		SS-6090410-TP	Needle set screw		針止ネジ	2
10		B1470-520-FA0	Walking foot (1/4")		押エ中足(1/4")	1
		SS-6110710-TP	... Clamp screw		押エ中足締ネジ	1
11		B1525-520-F00	Presser foot (1/4")		押エ外足(1/4")	1
12		B1109-520-F00	Throat plate (1/4")		針板(1/4")	1
13		B1613-520-F00	Feed dog (1/4")		送り(1/4")	1
14		B1613-520-F0B	Feed dog, for 30#, 20# threads (1/4")		送り(丸穴)30#, 20#糸を使用(1/4")	1
15		B1112-512-C00	Bed slide, left		滑り板(左)	1
16		B1113-512-C00	Bed slide, right		滑り板(右)	1
1/2" GAUGE PARTS (Manufactured on order)						
17		B1402-520-LA0	Needle clamp (1/2")		1/2"用ゲージセット(受注生産) 針留(1/2")	1
		SS-6090410-TP	Needle set screw		針止ネジ	2
18		B1470-520-LA0	Walking foot (1/2")		押エ中足(1/2")	1
		SS-6110710-TP	... Clamp screw		押エ中足締ネジ	1
19		B1525-520-L00	Presser foot (1/2")		押エ外足(1/2")	1
20		B1109-520-L00	Throat plate (1/2")		針板(1/2")	1
21		B1613-520-L00	Feed dog (1/2")		送り(1/2")	1
22		B1613-520-L0B	Feed dog, for 30#, 20# threads (1/2")		送り(丸穴)30#, 20#糸を使用(1/2")	1
23		B1112-512-F00	Bed slide, left		滑り板(左)	1
24		B1113-512-F00	Bed slide, right		滑り板(右)	1
5/8" GAUGE PARTS (Manufactured on order)						
25		B1402-520-MA0	Needle clamp (5/8")		5/8"用ゲージセット(受注生産) 針留(5/8")	1
		SS-6090410-TP	Needle set screw		針止ネジ	2
26		B1470-520-MA0	Walking foot (5/8")		押エ中足(5/8")	1
		SS-6110710-TP	... Clamp screw		押エ中足締ネジ	1
27		B1525-520-M00	Presser foot (5/8")		押エ外足(5/8")	1
28		B1109-520-M00	Throat plate (5/8")		針板(5/8")	1
29		B1613-520-M00	Feed dog (5/8")		送り(5/8")	1
30		B1613-520-M0B	Feed dog, for 30#, 20# threads (5/8")		送り(丸穴)30#, 20#糸を使用(5/8")	1
31		B1112-512-G00	Bed slide, left		滑り板(左)	1
32		B1113-512-G00	Bed slide, right		滑り板(右)	1
3/4" GAUGE PARTS						
33		B1402-520-NA0	Needle clamp (3/4")		3/4"用ゲージセット 針留(3/4")	1
		SS-6090410-TP	Needle set screw		針止ネジ	2
34		B1470-520-NA0	Walking foot (3/4")		押エ中足(3/4")	1
		SS-6110710-TP	... Clamp screw		押エ中足締ネジ	1
35		B1525-520-N00	Presser foot		押エ外足	1
36		B1109-520-N00	Throat plate (3/4")		針板(3/4")	1
37		B1613-520-N00	Feed dog (3/4")		送り(3/4")	1
38		B1613-520-N0B	Feed dog, for 30#, 20# threads (3/4")		送り(丸穴)30#, 20#糸を使用(3/4")	1
39		B1112-512-H00	Bed slide, left		滑り板(左)	1
40		B1113-512-H00	Bed slide, right		滑り板(右)	1
3/8" GAUGE PARTS						
41		B1402-520-KA0	Needle clamp (3/8") (standard)		3/8"用ゲージセット(標準) 針留(3/8")	1
		SS-6090410-TP	Needle set screw		針止ネジ	2
42		B1470-520-KA0	Walking foot (3/8")		押エ中足(3/8")	1
		SS-6110710-TP	... Clamp screw		押エ中足締ネジ	1
43		B1525-520-K00	Presser foot (3/8")		押エ外足(3/8")	1
44		B1109-520-K00	Throat plate (3/8")		針板(3/8")	1
45		B1613-520-K00	Feed dog (3/8")		送り(3/8")	1
46		B1613-520-K0B	Feed dog, for 30#, 20# threads (3/8")		送り(丸穴)30#, 20#糸を使用(3/8")	1
47		B1112-512-E00	Bed slide, left		滑り板(左)	1
48		B1113-512-E00	Bed slide, right		滑り板(右)	1

(注) 標準品以外は受注生産品ですから、別途御注文下さい。

(Note) All parts other than standard parts are special order parts at extra cost so please order them separately.

8. NUMERICAL INDEX OF PARTS

索引

Part No. 品番	Page 頁	Item Ref. 項目 No.	Part No. 品番	Page 頁	Item Ref. 項目 No.	Part No. 品番	Page 頁	Item Ref. 項目 No.	Part No. 品番	Page 頁	Item Ref. 項目 No.				
EXCLUSIVE PARTS		専用部品	B1314-057-000	4	2	62	B1613-520-D00	15	7	5	B3122-051-000	2	1	48	
B1103-051-000	2	1	3	B1316-055-000	4	2	48	B1613-520-D0B	15	7	6	B3123-520-000	2	1	51
B1104-051-000	2	1	24	B1401-518-000	6	3	1	B1613-520-F00	15	7	13	B3124-051-000	2	1	40
B1109-520-D00	15	7	4	B1402-520-DA0	15	7	1	B1613-520-F0B	15	7	14	B3125-012-000	2	1	41
B1109-520-F00	15	7	12	B1402-520-FA0	15	7	9	B1613-520-K00	6	3	28	B3126-051-000	2	1	42
B1109-520-K00	2	1	21	B1402-520-KA0	6	3	26	B1613-520-K00	15	7	45	B3127-051-000	2	1	49
B1109-520-K00	15	7	44	B1402-520-KA0	15	7	41	B1613-520-K0B	15	7	46	B3128-520-000	2	1	50
B1109-520-L00	15	7	20	B1402-520-LA0	15	7	17	B1613-520-L00	15	7	21	B3129-053-000	2	1	44
B1109-520-M00	15	7	28	B1402-520-MA0	15	7	25	B1613-520-L0B	15	7	22	B3131-051-000	2	1	45
B1109-520-N00	15	7	36	B1402-520-NA0	15	7	33	B1613-520-M00	15	7	29	B3132-051-000	2	1	43
B1110-051-000	2	1	19	B1408-051-000	4	2	8	B1613-520-M0B	15	7	30	B3134-520-000	2	1	46
B1110-051-0A0	2	1	18	B1411-518-0A0	6	3	2	B1613-520-N00	15	7	37	B3137-520-0A0	2	1	52
B1111-051-0A0	2	1	20	B1420-518-000	6	3	5	B1613-520-N0B	15	7	38	B3138-051-000	2	1	55
B1112-512-C00	15	7	7	B1421-051-000	6	3	6	B1614-057-000	6	3	42	B3401-027-000	12	6	17
B1112-512-C00	15	7	15	B1423-051-000	2	1	6	B1615-520-000	6	3	49	B3401-027-0A0	12	6	16
B1112-512-E00	15	7	47	B1425-051-000	6	3	16	B1616-520-0A0	6	3	45	B3402-027-000	12	6	18
B1112-512-E00	2	1	16	B1426-051-000	6	3	17	B1620-057-000	6	3	63	B3403-027-000	12	6	25
B1112-512-F00	15	7	23	B1428-051-000	6	3	9	B1620-552-0B0	6	3	59	B3404-027-000	12	6	20
B1112-512-G00	15	7	31	B1429-051-000	6	3	8	B1621-012-A00	6	3	47	B3405-027-0A0	12	6	27
B1112-512-H00	15	7	39	B1431-520-0A0	6	3	12	B1621-055-000	6	3	60	B3406-027-000	12	6	30
B1113-512-C00	15	7	8	B1434-051-000	6	3	19	B1622-057-000	6	3	64	B3407-027-000	12	6	22
B1113-512-C00	15	7	16	B1435-051-0A0	6	3	21	B1623-057-000	6	3	67	B3408-027-000	12	6	19
B1113-512-E00	2	1	17	B1437-051-000	6	3	11	B1624-055-000	6	3	51	B3409-027-000	12	6	21
B1113-512-E00	15	7	48	B1438-051-0A0	6	3	10	B1625-057-000	6	3	52	B3409-053-000	12	6	1
B1113-512-F00	15	7	24	B1455-053-000	8	4	32	B1626-562-000	6	3	50	B3410-027-000	12	6	28
B1113-512-G00	15	7	32	B1456-053-000	8	4	31	B1636-055-000	6	3	55	B3410-051-000	12	6	3
B1113-512-H00	15	7	40	B1457-055-000	8	4	36	B1637-055-000	6	3	57	B3411-027-000	12	6	31
B1114-051-000	2	1	15	B1458-053-000	8	4	35	B1639-051-000	4	2	60	B3413-053-000	12	6	5
B1128-051-000	2	1	26	B1459-053-00A	8	4	46	B1639-051-000	6	3	56	B3414-051-000	12	6	7
B1129-563-000	2	1	9	B1459-053-00B	8	4	48	B1642-057-000	6	3	65	B3416-051-000	12	6	12
B1130-051-000	2	1	11	B1460-053-00A	8	4	14	B1702-012-000	6	3	43	B3417-051-000	12	6	10
B1131-051-000	2	1	13	B1460-053-0A0	8	4	13	B1702-012-000	8	4	44	B3501-051-000	2	1	30
B1140-051-000	2	1	4	B1460-053-00B	8	4	16	B1801-520-000	10	5	1	B9117-563-000	10	5	39
B1150-051-000	2	1	33	B1461-053-0A0	8	4	23	B1802-051-000	10	5	2	D1201-055-B00	4	2	16
B1152-051-000	2	1	35	B1462-053-000	8	4	24	B1804-051-000	10	5	51	D1450-055-B00	4	2	32
B1155-053-000	2	1	31	B1465-053-000	8	4	38	B1806-520-000	10	5	13	D1453-055-B00	8	4	39
B1157-009-0A0	2	1	25	B1466-053-000	8	4	25	B1807-051-000	10	5	6	D1454-055-BA0	8	4	33
B1158-563-000	2	1	28	B1467-053-0A0	8	4	28	B1807-051-0A0	10	5	5	D1455-055-B00	8	4	40
B1202-051-000	4	2	19	B1468-053-000	8	4	26	B1808-051-000	10	5	7	D1456-055-B00	8	4	41
B1203-051-000	4	2	22	B1469-053-000	8	4	27	B1809-051-000	10	5	8	D1457-055-B00	8	4	42
B1205-051-000	4	2	21	B1470-520-DA0	15	7	2	B1810-520-000	10	5	15	D1458-055-B00	8	4	43
B1206-520-000	4	2	13	B1470-520-FA0	15	7	10	B1811-563-000	10	5	16				
B1207-051-000	4	2	18	B1470-520-KA0	8	4	29	B1814-563-000	10	5	20	OIL WICK	油心		
B1210-051-000	4	2	9	B1470-520-KA0	15	7	42	B1815-563-000	10	5	22	CQ-2020000-00	4	2	4
B1213-012-000	6	3	44	B1470-520-LA0	15	7	18	B1816-051-000	10	5	40	CQ-2020000-00	6	3	25
B1213-012-000	8	4	45	B1470-520-MA0	15	7	26	B1817-051-000	10	5	43	CQ-2020000-00	8	4	50
B1214-019-000	4	2	41	B1470-520-NA0	15	7	34	B1818-051-000	10	5	46	CQ-2020000-00	8	4	51
B1214-019-000	4	2	65	B1501-040-000	8	4	3	B1820-051-000	10	5	34	CQ-2020000-00	10	5	38
B1226-051-000	4	2	26	B1502-051-000	8	4	1	B1821-051-000	10	5	31	CQ-2020000-00	10	5	4
B1216-051-0A0	4	2	25	B1503-051-A00	8	4	4	B1821-051-000	10	5	18	CQ-2020000-00	10	5	33
B1217-051-000	4	2	27	B1503-051-B00	8	4	6	B1822-563-000	10	5	35	CQ-2520000-00	4	2	6
B1218-051-000	4	2	28	B1504-051-0A0	8	4	7	B1823-051-000	10	5	36	CQ-2520000-00	4	2	23
B1219-051-000	10	5	9	B1505-053-000	8	4	19	B1824-563-000	10	5	28	CQ-2520000-00	6	3	20
B1219-051-000	4	2	29	B1507-051-0A0	8	4	9	B1830-563-0A0	10	5	53	CQ-3030000-00	4	2	12
B1220-562-000	4	2	35	B1509-051-000	2	1	32	B1830-563-BA0	10	5	27	CQ-3030000-00	6	3	4
B1227-520-000	4	2	43	B1512-051-000	8	4	11	B1838-520-000	10	5	24	CQ-5050000-00	4	2	17
B1230-051-000	4	2	24	B1515-051-000	8	4	12	B1839-520-0A0	12	6	14				
B1233-012-000	4	2	44	B1525-520-D00	15	7	3	B1840-051-000	10	5	49	THRUST COLLAR	スラスト受		
B1301-051-000	4	2	42	B1525-520-F00	15	7	11	B1841-520-000	12	6	15				
B1302-051-000	4	2	37	B1525-520-K00	8	4	21	B1843-563-000	10	5	47	CS-0510713-SC	12	6	8
B1303-055-A00	4	2	40	B1525-520-K00	15	7	43	B1844-520-000	10	5	25	CS-1401012-SC	6	3	40
B1305-055-000	4	2	53	B1525-520-L00	15	7	19	B1905-520-000	4	2	2				
B1307-055-000	4	2	51	B1525-520-M00	15	7	27	B1905-520-0C0	4	2	1	NUT	ナット		
B1308-055-000	4	2	49	B1525-520-N00	15	7	35	B1906-051-000	4	2	5	NM-6080721-SE	12	6	24
B1309-055-000	4	2	50	B1601-051-000	6	3	35	B1907-057-000	4	2	3	NS-6060350-SP	2	1	39
B1310-055-000	4	2	56	B1602-520-0A0	6	3	32	B3101-053-000	2	1	1	NS-6080210-SP	6	3	31
B1311-055-000	4	2	47	B1603-051-000	6	3	33	B3106-019-000	2	1	2	NS-6080210-SP	6	3	66
B1312-055-000	4	2	58	B1605-051-000	6	3	68	B3114-761-000	2	1	38	NS-6110310-SP	8	4	49
B1313-055-000	4	2	61	B1607-051-000	6	3	36	B3121-520-000	2	1	37	NS-6110420-SP	10	5	32
B1314-055-000	4	2	57	B1609-051-000	6	3	38	B3121-520-0B0	2	1	36	NS-6110420-SP	10	5	48

Part No. 品番	Page 頁	Item 項目	Ref. No.	Part No. 品番	Page 頁	Item 項目	Ref. No.
NS-6160520-SP	6	3	15	SS-7111310-SP	8	4	15
NS-6620310-SP	6	3	18	SS-7151120-SP	4	2	7
NS-6660430-SP	8	4	37	SS-7160740-SP	2	1	29
NS-6680480-SP	6	3	48	SS-7161640-SP	8	4	34
NS-6700420-SP	6	3	24	SS-7681750-TP	4	2	15
				SS-7681750-TP	4	2	39
SNAP RING	E	リング		SS-7762840-SP	10	5	17
RE-0500000-K0	6	3	58	SS-8081450-SP	6	3	30
				SS-8090530-TP	10	5	10
TAPER PIN	テー	パー	ピン	SS-8090710-SP	4	2	55
PD-0231100-0B	12	6	6	SS-8110510-SP	2	1	27
PS-0200102-KH	4	2	59	SS-8110510-SP	6	3	53
PT-0201200-S0	8	4	17	SS-8110510-SP	6	3	34
PT-0301600-S0	6	3	70	SS-8110750-SP	6	3	54
				SS-8111251-SP	2	1	54
HINGE SCREW	段	ネジ		SS-8150410-SP	6	3	41
SD-0470281-SP	2	1	47	SS-8150580-SP	10	5	50
SD-0550801-SP	12	6	11	SS-8150710-SP	4	2	30
SD-0630241-SD	2	1	34	SS-8150710-SP	10	5	23
SD-0640322-TP	4	2	54	SS-8150710-SN	12	6	32
SD-0640322-TP	4	2	52	SS-8150750-SP	10	5	12
SD-0790361-SP	12	6	2	SS-8151150-SP	6	3	37
SD-0790361-SP	12	6	4	SS-8151150-SP	8	4	2
SD-0790801-SP	6	3	14	SS-8151150-SP	8	4	5
SD-0800481-SP	8	4	18	SS-8151150-SP	10	5	21
SD-0801601-SP	8	4	20	SS-8151160-SP	6	3	7
SD-0950801-SP	6	3	23	SS-8151230-SP	4	2	36
				SS-8151230-SP	10	5	37
SCREW	ネジ			SS-8151350-SP	4	2	31
SK-3623200-SC	12	6	33	SS-8151350-SP	4	2	20
SM-9081620-SE	12	6	23	SS-8151550-SP	10	5	52
SS-2090710-SP	2	1	10	SS-8151770-SP	6	3	61
SS-2090710-SP	2	1	12	SS-8151780-SP	4	2	45
SS-2090710-SP	2	1	14	SS-8151780-SP	4	2	63
SS-2110920-TP	2	1	22	SS-8151780-SP	6	3	62
SS-3090610-SP	2	1	5	SS-8152030-SP	4	2	46
SS-6080610-TP	6	3	69	SS-8152030-SP	6	3	39
SS-6080720-SP	6	3	29	SS-8152030-SP	10	5	3
SS-6080810-SP	2	1	53	SS-8152030-SP	10	5	11
SS-6090410-TP	6	3	27	SS-8152080-SP	4	2	64
SS-6090410-TP	15	7	1	SS-8660530-TP	4	2	33
SS-6090410-TP	15	7	9	SS-8660530-TP	10	5	44
SS-6090410-TP	15	7	17	SS-8660670-SP	10	5	45
SS-6090410-TP	15	7	25	SS-8660810-TP	10	5	42
SS-6090410-TP	15	7	33	SS-8660970-TP	4	2	34
SS-6090410-TP	15	7	41	SS-8660970-TP	10	5	41
SS-6090620-SP	10	5	29	SS-8680540-SP	4	2	10
SS-6090630-SP	2	1	23	SS-8680730-SP	4	2	11
SS-6090910-TP	8	4	22	SS-8681650-TP	4	2	14
SS-6110610-TP	10	5	26	SS-8681650-TP	4	2	38
SS-6110710-TP	8	4	30	SS-9111010-SP	2	1	7
SS-6110710-TP	15	7	2	SS-9201813-CN	12	6	26
SS-6110710-TP	15	7	10	SS-9201813-CN	12	6	29
SS-6110710-TP	15	7	18				
SS-6110710-TP	15	7	26	WASHER	座金		
SS-6110710-TP	15	7	34	WP-0371016-SD	10	5	30
SS-6110710-TP	15	7	42	WP-0480856-SP	2	1	8
SS-6111140-SP	8	4	47	WP-0851216-SC	12	6	34
SS-6111210-SP	6	3	46				
SS-6151440-SP	6	3	13				
SS-6151920-SP	6	3	22				
SS-6153040-SP	10	5	19				
SS-7090520-SP	2	1	56				
SS-7090520-SP	10	5	14				
SS-7090910-SP	6	3	3				
SS-7090910-SP	8	4	8				
SS-7090910-SP	8	4	10				
SS-7110510-SP	12	6	13				
SS-7110540-SP	12	6	9				
SS-7110720-SP	2	1	57				

